

YG 系列电涌保护器 SPD YG Series

目录

1 适用范围 Scope	2
2 术语 Glossary.....	2
3 型号说明 Part Number System	2
4 结构尺寸 Structure and Dimensions.....	3
4.1 应用示意图 Application Schematic	3
4.2 尺寸 Dimensions (mm).....	4
5 技术参数 Specifications	6
6 安规认证 Agency Approvals.....	7
7 检验 Inspection	7
7.1 大气条件 Atmospheric Conditions	7
7.2 机械特性 Mechanical Performances.....	7
7.3 常规检验项目 Routine Inspection Items	8
7.4 动作负载试验 Operating Duty Test.....	9
7.5 电压保护水平测试 Voltage Protection Level Test	10
7.6 暂态过电压下的性能试验. Behaviour under temporary overvoltages (TOVs)	11
8 安装使用及维护 Installation and maintenance	12
9 标示 Marks.....	12

YG 系列电涌保护器 SPD YG Series

1 适用范围 Scope

EZ25Y(G)277M(S)-S(C) 适用于 90~305V 交流电系统或者一般的电压趋动器和整流器。

防电涌等级:

复合冲击波, 30kV/15kA [Uoc(1.2/50μs)/Icw(8/20μs)]

标称放电电流, 15kA (In,8/20us)

标称放电电流, 10kA (In,8/20us)/最大放电电流 25kA(I_{max},8/20μs)

外壳防护等级: IP67;

使用耐高温防火外壳

温度范围: -40°C~105°C

EZ25Y(G)277M(S)-S(C) are apply to 90~305V AC system or general voltage driver and rectifier

Surge protection level:

Combination Impulse Wave, 30kV/15kA [Uoc(1.2/50μs)/Icw(8/20μs)]

Nominal discharge current, 15kA (In,8/20us)

Nominal discharge current, 10kA (In,8/20us)/Maximum discharge current, 25kA (I_{max},8/20us)

Degree of protection provided by the enclosure : IP67 ;

Using the high temperature resistant and flameproof enclosure

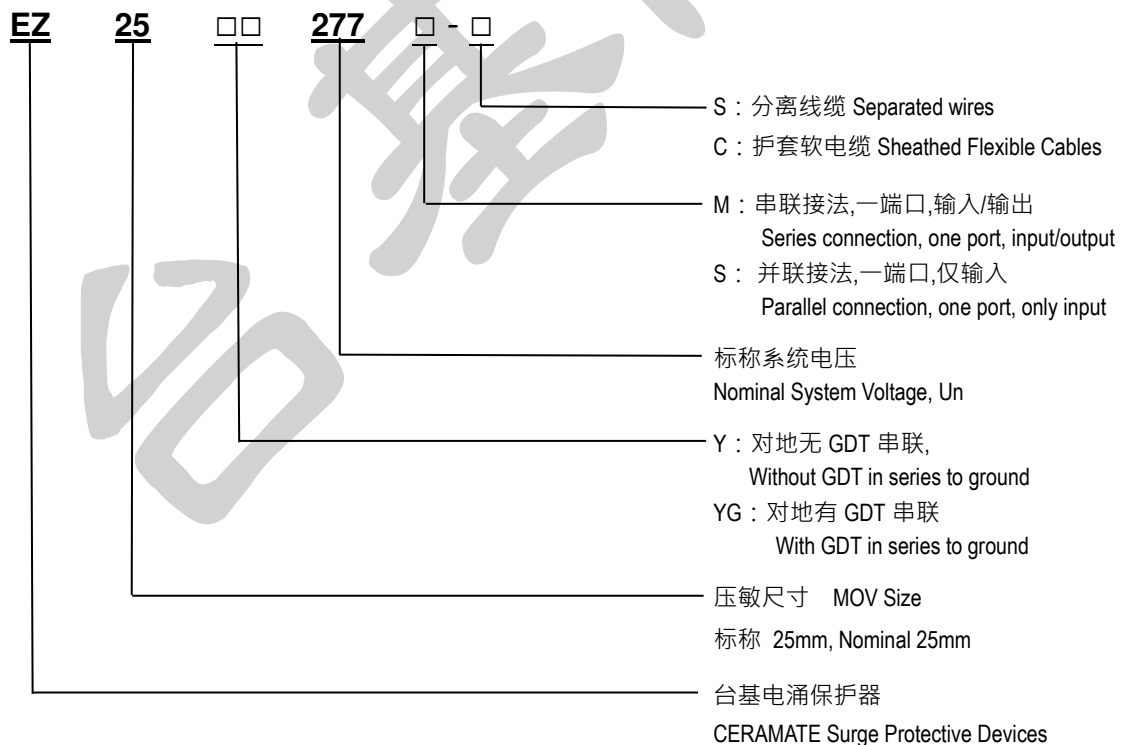
Temperature rang : -40°C~105°C

2 术语 Glossary

参考标准 Reference Standards

IEC 61643-11:2011 · EN61643-11 : 2012 · IEC61643-1:2005 · GB/T 18802.1-2011

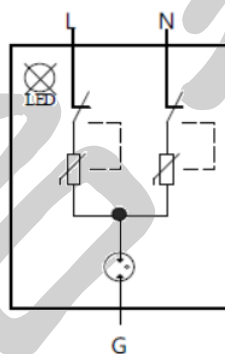
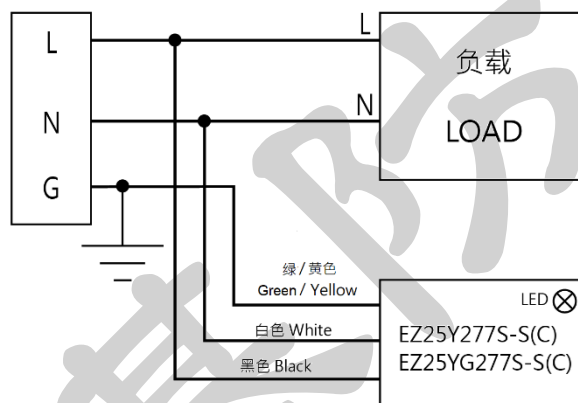
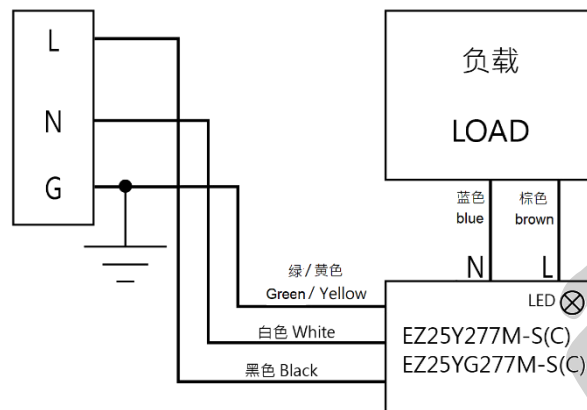
3 型号说明 Part Number System



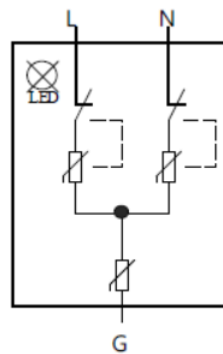
YG 系列电涌保护器 SPD YG Series

4 结构尺寸 Structure and Dimensions

4.1 应用示意图 Application Schematic



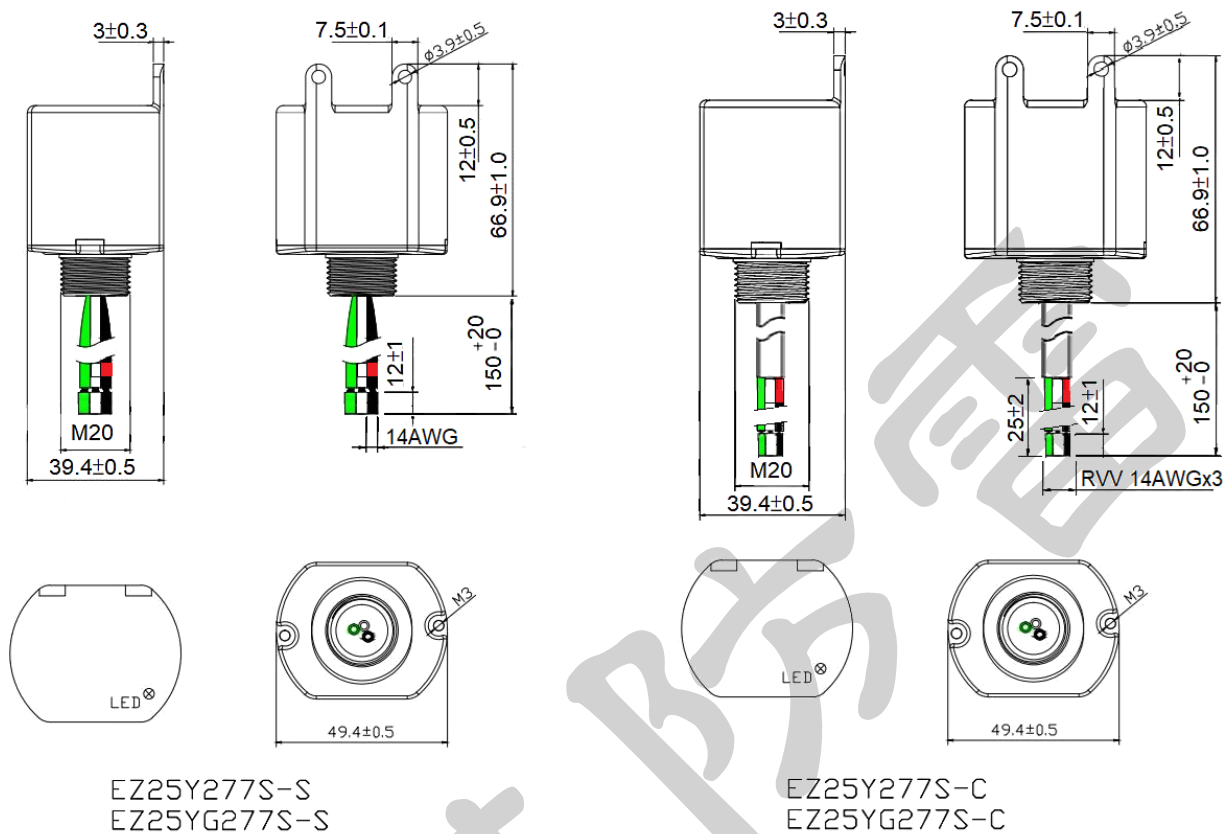
YG系列
YGseries



Y系列
Y series

备注: 1. LED 常态有保护时亮。

Note: 1. Under protected LED normally on.

YG 系列电涌保护器 SPD YG Series
4.2 尺寸 Dimensions (mm)

备注：

1. 线规：AWG18 号线。

电线颜色：火线：黑色，零线：白色，地线：绿/黄色，线长：150⁺²⁰₀mm。

2. EZ25Y(G)277S-S：分离线缆，尾端 12±1.0 mm 割开不去皮。距割开处约 15mm 套热缩套管，套管规格长 10mm，火线套管颜色为红色，标示“火进”，零线套管颜色为白色，标示“零进”。

EZ25Y(G)277S-C：护套软电缆，尾端外层割开去皮 25±2mm，内层 12±1.0mm 割开不去皮。距割开处约 3mm 套热缩套管，套管规格长 10mm，火线套管颜色为红色，标示“火进”，零线套管颜色为白色，标示“零进”。

Notes：

1. Wire Gauge：AWG18 wire.

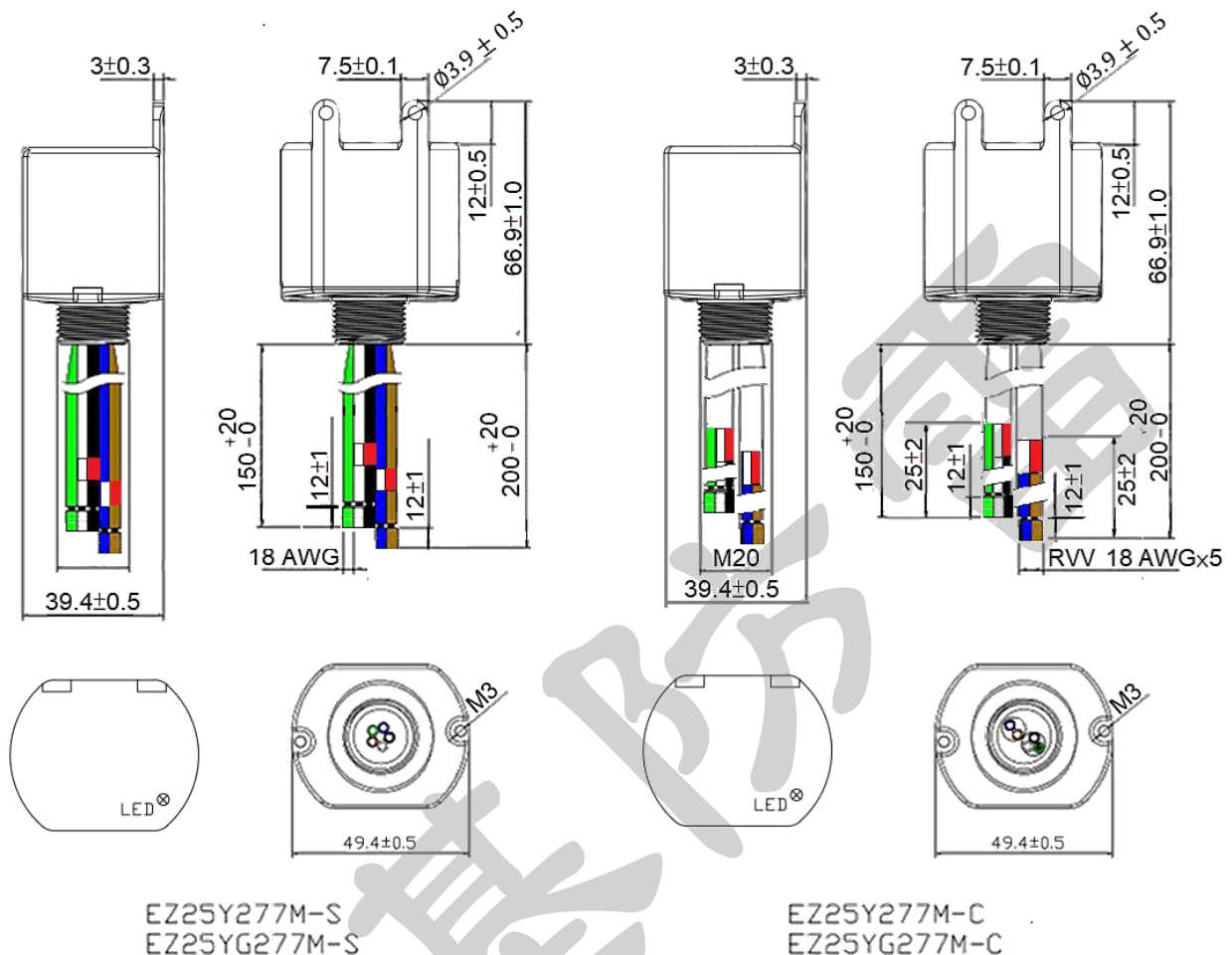
Wire Color: Black: Line, White: Neutral, Green/Yellow: Ground.

Wire length: 150⁺²⁰₀mm.

2. EZ25Y(G)277S-S：Separated wires, cutting on 12±1.0 mm from tail terminals but not stripping. A 10 mm length heat-shrinkable tube is sleeve on the position about 15 mm from the cutting position. The tubing color of line is red, and marking as "Lin", The tubing color of neutral is white, and marking as "Nin".

EZ25Y(G)277S-C：Sheathed flexible cable, Jacket cutting on 25±2mm from tail terminal and stripping, Internal wires cutting on 12±1.0mm from tail terminals but not stripping. A 10 mm length heat-shrinkable tube is sleeve on the position about 3 mm from the cutting position. The tubing color of line is red, and marking as "Lin" The tubing color of neutral is white, and marking as "Nin".

YG 系列电涌保护器 SPD YG Series



备注：

1. 线规：AWG18 号线

电线颜色：输入：火线：黑色，零线：白色，地线：绿/黄色，线长：150⁺²⁰₋₀mm。

输出：火线：棕色，零线：蓝色，线长：200⁺²⁰₋₀mm。

2. EZ25Y(G)277M-S：分离线缆，尾端 12±1.0 mm 割开不去皮。距割开处约 15mm 套热缩套管，套管规格长 10mm，火线套管颜色为红色，标示“火进”或“火出”，零线套管颜色为白色，标示“零进”或“零出”。

EZ25Y(G)277M-C：护套软电缆，尾端外层割开去皮 25±2mm，内层 12±1.0mm 割开不去皮。距割开处约 3mm 套热缩套管，套管规格长 10mm，火线套管颜色为红色，标示“火进”或“火出”，零线套管颜色为白色，标示“零进”或“零出”。

Notes：

1. Wire Gauge：AWG18 wire

Wire Color：Input：Black: Line, White: Neutral, Green/Yellow: Ground, Line length: 150⁺²⁰₋₀mm.

Output：Brown: Line, Blue: Neutral, Line length: 200⁺²⁰₋₀mm.

2. EZ25Y(G)277M-S：Separated wires, cutting on 12±1.0 mm from tail terminals but not stripping. A 10 mm length heat shrinkable tube is sleeve on the position about 15mm from the cutting position. The tubing color of line is red, and marking as “Lin” or “Lout”, The tubing color of neutral is white, and marking as “Nin” or “Nout”.

EZ25Y(G)277M-C：Sheathed flexible cable. Jacket cutting on 25±2mm from tail terminal and stripping, Internal wires cutting on 12±1.0mm from tail terminals but not stripping. A 10 mm length heat-shrinkable tube is sleeve on the position about 3mm from the cutting position. The tubing color of line is red, and marking as “Lin” or “Lout”, The tubing color of neutral is white, and marking as “Nin” or “Nout”.

YG 系列电涌保护器 SPD YG Series
5 技术参数 Specifications

产品型号 Product Model	EZ25Y 277S-S(C)		EZ25Y 277M-S(C)		EZ25YG 277S-S(C)		EZ25YG 277M-S(C)	
温湿度范围 Temperature and Humidity Range	温度：-40°C至 105°C/湿度：5%至 95%RH Temperature：-40°C~105°C/ Humidity：5%~95% RH							
端口数量 Number of Ports	一端口,仅输入 one port, only input		一端口,输入/输出 one port, input/output		一端口,仅输入 one port, only input		一端口,输入/输出 one port, input/output	
配电系统 Power Distribution System	TN							
标称系统电压 Nominal System Voltage, Un	90~305V AC							
最大连续工作电压 Maximum Continuous Operating Voltage, Uc	320V AC							
工作频率 Working Frequency	50/60 Hz							
复合冲击波 Combination Impulse Wave Uoc (1.2 / 50 us)/Icw (8 / 20 us)	30 kV/ 15 kA							
标称放电电流 Nominal Discharge Current, In (8/20us, kA)	15	10	15	10	15	10	15	10
最大放电电流 Maximum Discharge current, Imax (8/20us, kA)	NA	25	NA	25	NA	25	NA	25
电压保护水平 Voltage Protection Level , Up (V)	L-N	1500	1500	1500	1500	1500	1500	1500
	L-G	1800	1500	1800	1500	1800	1500	1800
	N-G	1800	1500	1800	1500	1800	1500	1800
额定负载电流 Rated Load Current, I _L (A)	NA		5		NA		5	
安全失效模式 Safe Failure Mode	开路模式 Open Circuit Mode (OCM)							
暂态过电压特性,低压系统故障 Temporary Overvoltage(TOV) Characteristic, LV-system Faults	(1) 335 Vac,5 秒,耐受模式 5 sec, withstand mode (2) 440 Vac,120 分钟,耐受或安全失效模式 120min, withstand mode or safe failure mode,							
预期短路电流 Prospective Short-circuit Current, I _{sc} (A)	300							
脱离器动作指示 Indication of Disconnecter Operation	LED 指示灯由亮变灭,AC 电源断开 LED indicator from light on to light off, and AC network cut-off							
外壳防护等级 Ingress Protection Level	IP67							

YG 系列电涌保护器 SPD YG Series

6 安规认证 Agency Approvals

认证机构 Agency		标准 Standards	认证号 File NO.	类别 Category	执行标准 Designed to Standards
	TUV	IEC 61643-11:2011	R50415533	Class II	<ul style="list-style-type: none"> ● UL 1449 4th Ed : 2014 ● IEC 61643-11 : 2011 ● EN 61643-11 : 2012 ● IEC 61000-4-5 : 2014 ● IEEE C62.41.2-2002
	TUV	EN 61643-11:2012	HU-002372	Class II	

7 检验 Inspection

7.1 大气条件 Atmospheric Conditions

温度 Temperature : 5 °C - 35 °C

相对湿度 Relative Humidity : 25%-75%

大气压力 Air pressure: 86 kPa to 106 kPa

7.2 机械特性 Mechanical Performances

项目 Items	试验方法 Test methods/conditions	参考标准 Reference Standards	抽样频率和 接受标准 AQL
拉力 Pull	<p>将待测试产品安装于测试架上,所有输入或输出导线从任意角度施加总重 89N(20 磅)的法码挂钩绑牢,受力时间 1 分钟,轻放法码。</p> <p>Install the product on the test shelf and tie all input or output lead wires respectively with 89N(20 lbf) weight from any angle for 1 minute. Then release the weights slightly.</p>	<p>IEC 61643-11 GB 18802.1</p>	<p>3 pcs/Lot,AC=0 导线不损伤、脱落。 The lead wires shouldn't be damaged.</p>

YG 系列电涌保护器 SPD YG Series
7.3 常规检验项目 Routine Inspection Items

序号 No.	项目 Items	试验要求 Test Requirements	参考标准 Reference Standards	抽样频率和 接受标准 AQL
1	外观 Appearance	壳体无穿孔,飞边;引脚镀层良好,无氧化发黑等情况。 The case without perforation, flash, the pin coating is good and no oxidative blackening.	ISO 2768-1 GB/T 1804	G-II, AQL=1.0
2	尺寸 Dimension	用游标卡尺测量引脚外露长度·尺寸范围参照 4.2。 Use vernier caliper to measure the Pin out length, size range reference 4.2.	ISO 2768-1 GB/T 1804	S-2, AQL=0.65
3	介电耐压 Dielectric Withstand	在引脚和外壳间施加工频电压 ≥ 2200 V·1 分钟,不应该发生闪络和击穿 Subject the voltage no less than 2200 V, last for 1 minute between leads and enclosure, arcing or puncturing shall not occur.	IEC 61643-11 GB 18802.1	S-2, AQL=1.0
4	动作负载试验 Operating Duty Test	参见第 7 章节《检验》第 7.4 条 Reference 7.4 of the chapter 7 《Inspection》	IEC 61643-11 GB 18802.1	3 PCS/Lot AC=0
5	电压保护水平测试 Voltage Protection Level Test	参见第 7 章节《检验》第 7.5 条 Reference 7.5 of the chapter 7 《Inspection》	IEC 61643-11 GB 18802.1	3 PCS/Lot AC=0
6	暂态过电压特性, 低压系统故障 Temporary Overvoltage (TOV) Characteristic, LV-system faults	参见第 7 章节《检验》第 7.6 条 Reference 7.6 of the chapter 7 《Inspection》	IEC 61643-11 GB 18802.1	3 PCS/Lot AC=0

YG 系列电涌保护器 SPD YG Series

7.4 动作负载试验 Operating Duty Test

测试方法：将防雷器接入测试端，冲击 2 次 I_n （正、负极各 1 次）测试限制电压，若是回路中有 GDT 时再施加 1.2/50 μ s 冲击电压 6kV/10 次（正、负极各 5 次）测试限制电压，再施加 15 次 I_n 冲击，分成 3 组，每组 5 次冲击。每次冲击应与电源频率同步。从 0°角开始，同步角应以 30° \pm 5°的间隔逐级增加。两次冲击之间的间隔时间为 50s~60s，两组之间的间隔时间为 30min~35min。两组冲击之间试品无需施加电压。在施加每组冲击之后，需继续加电至少一分钟来检查复燃。在最后一组冲击和继续加电一分种后，SPD 保持加电，或在少于 30 秒内加电到 U_c ，保持 15 分钟来检查稳定性。30 分钟后再重复进行测试限制电压的程序。

Test Method: Terminal wires of the SPD shall be subjected to one sequence of positive polarity and one sequence of negative polarity to determine the measured limiting voltage. If there is a GDT component in the circuit, 10 times of 1,2/50 μ s, 6kV voltage impulse are applied to the SPD, five of positive and five of negative polarity to determine the measured limiting voltage. And then three groups of five impulses of 8/20 current impulses with positive polarity shall be applied. Starting from 0° the synchronization angle shall be increased in steps of 30° with a tolerance of \pm 5° for each synchronization angle. The interval between the impulses is 50 s ~ 60 s, the interval between the groups is 30 min~35 min. It is not required that the test sample is energized between the groups. The SPD shall be energized at U_c . After the application of each group of impulses, the SPD shall remain energized without interruption for at least 1 min to check for reignition. After the last group of impulses and the 1 min period the SPD either remains applied or is reapplied within less than 30 s to U_c for another 15 min to check for stability. 30 minutes later, the SPD shall be subjected to sequences to determine the measured limiting voltage repeatedly.

判定标准：产品在测试中不能有可见可闻的损坏，测试前后限制电压的变化率 $<$ 10%。

Pass Criteria: During and following the surge test, there shall not have visible or smelt (or both) damage, and the rate of the clamping voltage's variation shall be less than 10%.

YG 系列电涌保护器 SPD YG Series

7.5 电压保护水平测试 Voltage Protection Level Test

测试方法：将防雷器接入测试端，冲击 2 次 I_n （正、负极性各 1 次）测试限制电压；若是回路中有 GDT 时，应依次施加峰值约为 0.1；0.2；0.5；1.0 I_n 的 8/20 μ s 冲击电流（正、负极性各 1 次）测试限制电压。若有 I_{max} 则 I_n 测试后再施加 2 次 I_{max} 冲击（正、负极性各 1 次）测试限制电压，若是回路中有 GDT 时，接着再施加 1.2/50 μ s 冲击电压 6kV/10 次（正、负极各 5 次）测试限制电压，每次冲击的间隔时间应足以使试品冷却到环境温度。

Test Method: Terminal wires of the SPD shall be subjected to one sequence of positive polarity and one sequence of negative polarity to determine the measured limiting voltage; If there is a GDT component in the circuit, 8/20 current impulses with a sequence of crest values of approximately 0,1; 0,2; 0,5; 1,0 times I_n shall be applied to determine the measured limiting voltage. When I_{max} is declared, then after I_n test, 2 times impulse of I_{max} (one time of positive and one of negative polarity) are applied to determine the measured limiting voltage. If there is a GDT component in the circuit, 10 times of 1,2/50 μ s, 6kV voltage impulse are applied to the SPD, five of positive and five of negative polarity to determine the measured limiting voltage. After each impulse, the rest time should be let samples cooled to the ambient temperature.

判定标准：电压和电流波形图及目测检测试品应没有击穿或闪络的现象；试验过程中不应发生可见损害；不应对人员或设备产生爆炸或其他危险；试验后试品 I_n 测试时的限制电压值小于或等于 U_p 。

Pass Criteria: Voltage and current records and visual inspection shall show no indication of puncture or flashover. No visible damage shall occur during the test. Values for measured limiting voltage after the test of I_n shall be below or equal to U_p .

YG 系列电涌保护器 SPD YG Series

7.6 暂态过电压下的性能试验. Behaviour under temporary overvoltages (TOVs).

低压系统故障. Low voltage system faults。

测试方法：SPD 试品应连接到 U_T 的工频电压，持续时间为 t_T 秒。 U_T 电源应能输出足够大的电流，以确保在试验过程中 SPD 端子上的电压不会跌落低于 U_T 的 5%。紧接着在施加 U_T 后，应在试品上施加等于 U_{REF} 并具有同样电流能力的电压 15 分钟。试验周期之间的时间间隔应尽可能短，并且在任何情况下不应超过 100ms。

TOV 试验参数：(1) 335 Vac, 5 秒, 耐受模式。

(2) 440 Vac, 120min, 耐受或安全失效模式。

Test Method: The test sample shall be connected to a power frequency voltage of U_T for a duration t_T seconds. This power source for U_T , shall be capable of delivering a current high enough to ensure that the voltage at the SPD terminals does not fall below U_T by more than 5% during the test. Immediately following the application of U_T , a voltage equal to U_{REF} with the same current capability, shall be applied to the test sample for a period of 15 min. The time interval between the test periods shall be as short as possible and shall in any case not exceed 100 ms.

TOV Test Parameters：(1) 335 Vac, 5 Sec, withstand mode。

(2) 440 Vac, 120min, withstand or safe failure mode。

判定标准：必须达到热稳定。试品应没有击穿或闪络的迹象。试验过程中不应发生可见的损害。试验后检查发现的细小的凹痕或裂缝如不影响防直接接触，则可以忽略。试验后试品上不应有燃烧的痕迹。试验时内部脱扣装置不应动作；试验后脱扣装置应处在正常工作状态。

Pass Criteria: Thermal stability shall be achieved. The sample shall show no indication of puncture or flashover. No visible damage shall occur during the test. After the test, small indents and cracks not impairing the protection against direct contact are disregarded during this check. There shall be no visual evidence of burning of the sample after the test. Internal disconnectors shall not operate during the test and shall be in working order after the test.

YG 系列电涌保护器 SPD YG Series

8 安装使用及维护 Installation and maintenance

8.1 EZ25Y(G)277M-S(C) 串联接法, 一端口, 输入/输出。

EZ25Y(G)277M-S(C) Series connection one port, input / output.

EZ25Y(G)277S-S(C) 并联接法, 一端口, 仅输入

EZ25Y(G)277S-S(C) Parallel connection, one port, only input

8.2 不正确的安装可能会损坏 SPD 的性能, 严格按照指示安装尤为重要。

Incorrect installation may damage the performance of the SPD, and it is especially important to follow the instructions.

8.3 在开始安装程序之前, 需用电表验证工作电压(AC 或 DC), 以确保工作电压符合要求。

Before starting the installation procedure, use the meter to verify the operating voltage (AC or DC) to ensure that the operating voltage meets the requirements.

8.4 如果测量的电压超过电涌保护器的额定值, 请勿安装 SPD。

Do not install SPD if the measured voltage exceeds the rating of the surge protector.

8.5 安装前不要接入电力系统。

Do not connect the power system before installation.

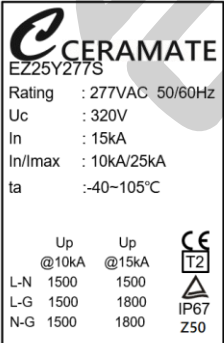
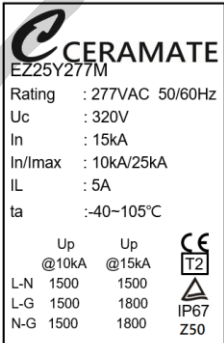
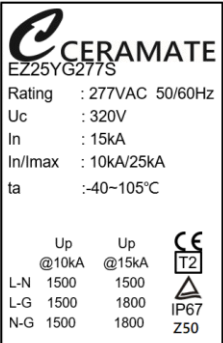
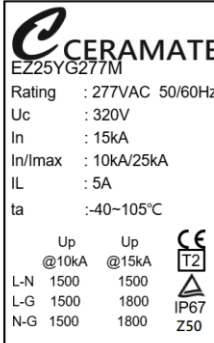
8.6 该电涌保护器在通电时 LED 灯应亮, 如果 LED 灯不亮, 说明电涌保护器已经损坏, 需维修或更换。

The LED indicator should be light up when the surge protector is energized. If the LED indicator does not light, it indicates that the surge protector is damaged and needs to be repaired or replaced.

9 标示 Marks

本体标示 Product Body Marking:

例如 ex:

 <p>CERAMATE EZ25Y277S Rating : 277VAC 50/60Hz Uc : 320V In : 15kA In/Imax : 10kA/25kA ta : -40~105°C</p> <p>Up @10kA @15kA L-N 1500 1500 L-G 1500 1800 N-G 1500 1800</p> <p>CE T2 IP67 Z50</p>	 <p>CERAMATE EZ25Y277M Rating : 277VAC 50/60Hz Uc : 320V In : 15kA In/Imax : 10kA/25kA IL : 5A ta : -40~105°C</p> <p>Up @10kA @15kA L-N 1500 1500 L-G 1500 1800 N-G 1500 1800</p> <p>CE T2 IP67 Z50</p>	 <p>CERAMATE EZ25YG277S Rating : 277VAC 50/60Hz Uc : 320V In : 15kA In/Imax : 10kA/25kA ta : -40~105°C</p> <p>Up @10kA @15kA L-N 1500 1500 L-G 1500 1800 N-G 1500 1800</p> <p>CE T2 IP67 Z50</p>	 <p>CERAMATE EZ25YG277M Rating : 277VAC 50/60Hz Uc : 320V In : 15kA In/Imax : 10kA/25kA IL : 5A ta : -40~105°C</p> <p>Up @10kA @15kA L-N 1500 1500 L-G 1500 1800 N-G 1500 1800</p> <p>CE T2 IP67 Z50</p>
---	---	--	---

•以下无正文 END