

Surge Protective Devices

适用范围 Scope

本规格书适用于型号为 MFVD 的热保护型电涌保护器。

The specification is applicable for MFVD SPD with thermal protection.

术语 Glossary

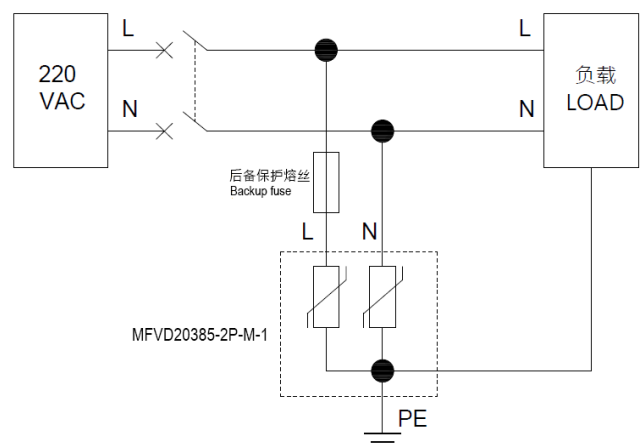
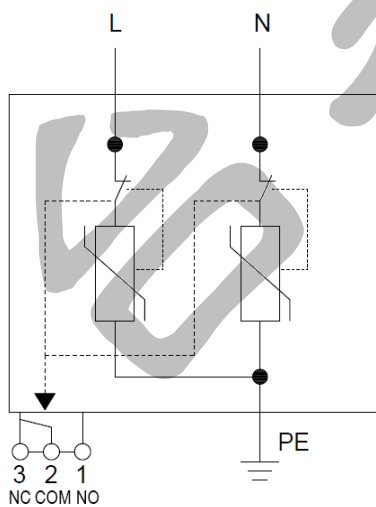
参考标准 Reference standards

UL1449 5th, IEC61643-11: 2011, EN61643-11: 2012+A11:2018, GB/T18802.11-2020

主要技术参数 Primary technical specifications

最大连续工作电压 Maximum Continuous Operating Voltage (Uc)	385VAC
标称放电电流 Nominal Discharge Current (In) (8/20us)	20 kA
最大放电电流 Maximum Discharge Current (Imax) (8/20us)	40 kA
电压保护水平 Voltage Protection Rating (Up)	1.7 kV
推荐后备保护熔丝 Backup Fuse Suggested	80A gG
额定短路电流 Short Circuit Current Rating (SCCR)	1000A
接线线径 (单股/多股) Connecting Wire (Solid / Stranded)	4~25mm ² /4~16mm ²
响应时间 Response time (tA)	25ns
漏电流 Leakage Current	<20uA
遥信接口 Remote Signal Contact	250VAC/0.5A; 24VDC/0.5A
外壳防护等级 Shell Degree of Protection	IP 20
外壳材料/阻燃等级 Shell Material / Flame Retardant Rating	热塑性 Thermoplastic / UL94 V-0
适合电源系统 Power Distribution System	单相 Single Phase, TN

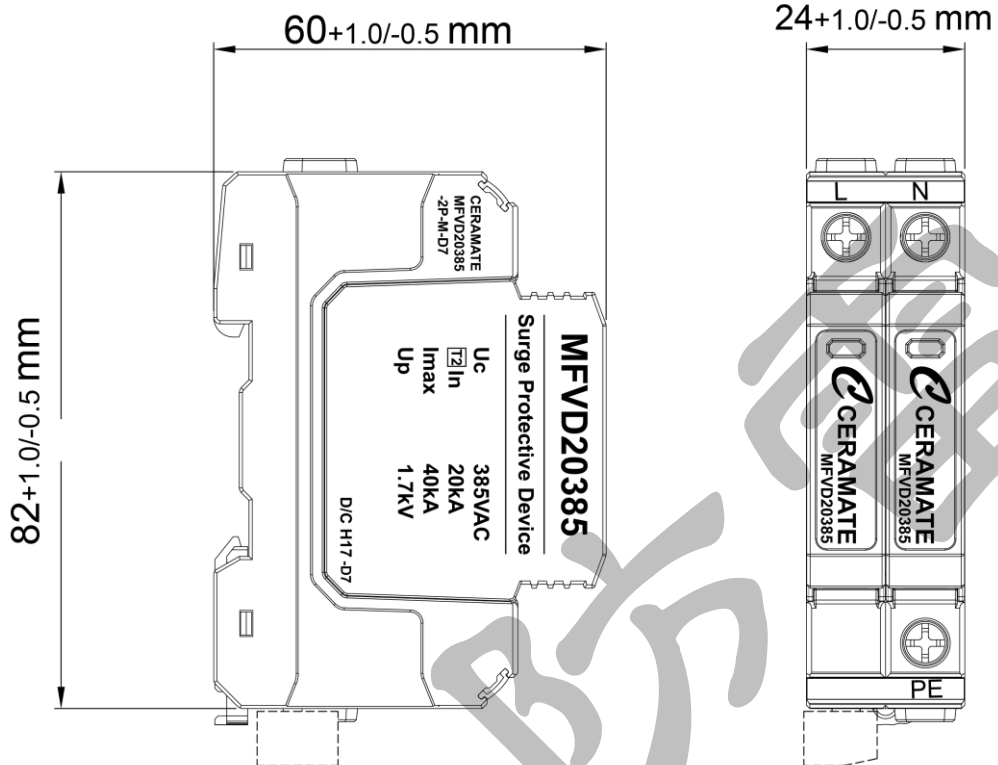
整组电气图/应用示意图 Complete unit circuit diagrams/ Application Schematic



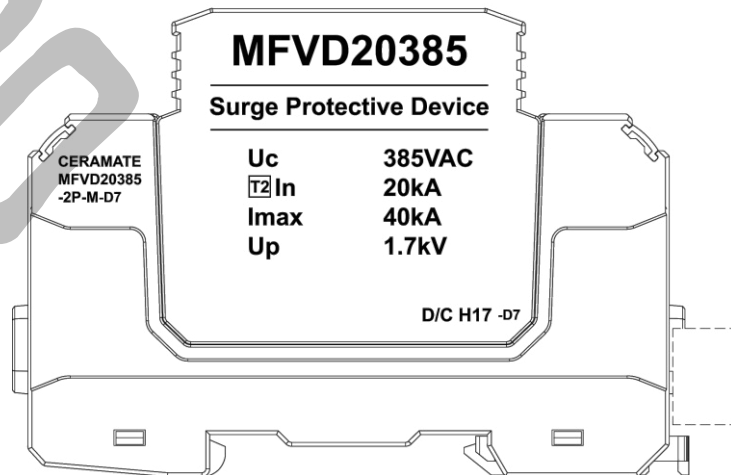
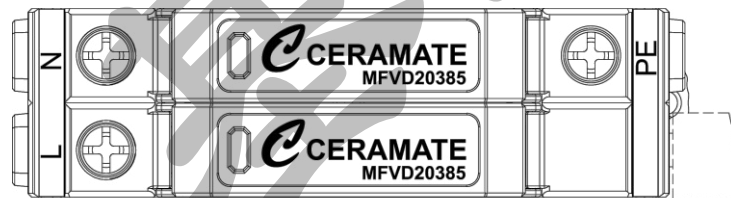
* All specs and applications shown above subject to change without prior notice.

Surge Protective Devices

尺寸 Dimensions (mm)



标示 Marks



* All specs and applications shown above subject to change without prior notice.